

Physics Master Academy Only Teaching Noting Else.

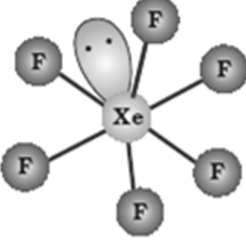
MARKING SCHEME

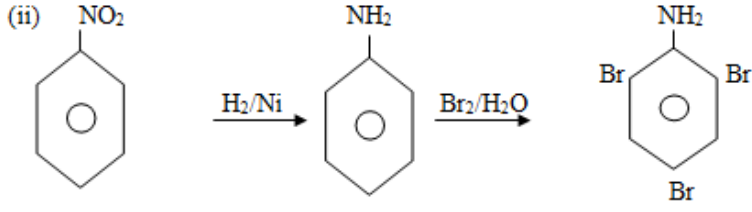
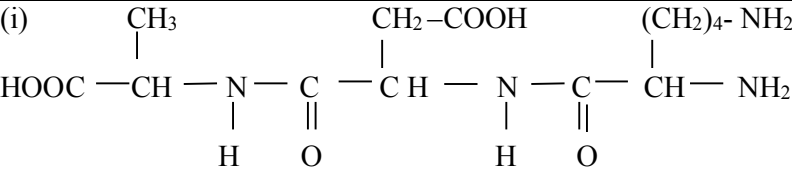
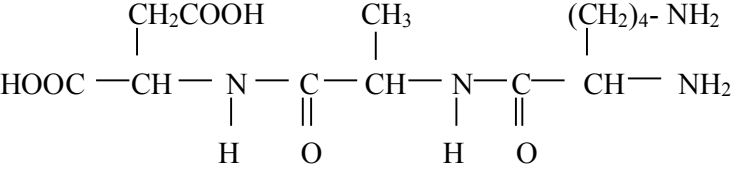
SAMPLE PAPER 1

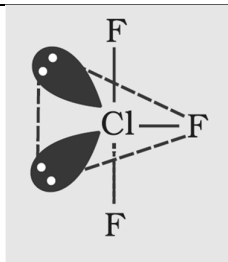
SECTION A

Q.No.	Value Point	Marks
1(i)	D	1
(ii)	B OR A	1
(iii)	A	1
(iv)	C	1
2(i)	B	1
(ii)	A	1
(iii)	A	1
(iv)	A OR B	1
3	C	1
4	D OR C	1
5	C	1
6	B OR B	1
7	B OR D	1
8	A OR A	1
9	C	1
10	A	1
11	A	1
12	A	1
13	D	1
14	B OR B	1
15	B	1
16	A	1

	<p style="text-align: center;">OR</p> <p>Ans : let the rate law expression be $\text{Rate} = k [\text{P}]^x [\text{Q}]^y$ from the table we know that Rate 1 = $3.0 \times 10^{-4} = k (0.10)^x (0.10)^y$ Rate 2 = $9.0 \times 10^{-4} = k (0.30)^x (0.30)^y$ Rate 3 = $3.0 \times 10^{-4} = k (0.10)^x (0.30)^y$</p> <p>Rate 1/ Rate 3 = $(1/3)^y$ or $1 = (1/3)^y$ So $y = 0$ Rate 2/ Rate 3 = $(3)^x$ or $3 = (3)^x$ So $x = 1$ Rate = $k [\text{P}]$</p>	<p style="text-align: center;">1/2</p> <p style="text-align: center;">1/2</p> <p style="text-align: center;">1</p>
21	<p>$k = 0.693/t_{1/2}$ $k = 0.693/5730 \text{ years}^{-1}$ $t = \frac{2.303 \log \frac{C_0}{C_t}}{k}$ let $C_0 = 1$ $C_t = 3/10$ so $C_0/C_t = 1/(3/10) = 10/3$ $t = \frac{2.303 \times 5730 \log \frac{10}{3}}{0.693}$ $t = 19042 \times (1-0.4771) = 9957 \text{ years}$</p>	<p style="text-align: center;">1/2</p> <p style="text-align: center;">1/2</p> <p style="text-align: center;">1/2</p> <p style="text-align: center;">1/2</p>
22	<p> $\text{CH}_3-\text{CH}(\text{CH}_3)-\text{CH}(\text{OH})-\text{CH}_3 \xrightarrow{\text{H}^+} \text{CH}_3-\text{CH}(\text{CH}_3)-\text{CH}(\text{OH}_2^+)-\text{CH}_3$ $\text{CH}_3-\text{CH}(\text{CH}_3)-\text{CH}(\text{OH}_2^+)-\text{CH}_3 \xrightarrow{-\text{H}_2\text{O}} \text{CH}_3-\text{CH}(\text{CH}_3)-\text{CH}^+-\text{CH}_3$ $\text{CH}_3-\text{CH}(\text{CH}_3)-\text{CH}^+-\text{CH}_3 \xrightarrow{1,2\text{-hydride shift}} \text{CH}_3-\text{C}^+(\text{CH}_3)_2-\text{CH}_2-\text{CH}_3$ $\text{CH}_3-\text{C}^+(\text{CH}_3)_2-\text{CH}_2-\text{CH}_3 + \text{Br}^- \rightarrow \text{CH}_3-\text{C}(\text{Br})(\text{CH}_3)_2-\text{CH}_2-\text{CH}_3$ </p>	<p style="text-align: center;">1/2</p> <p style="text-align: center;">1/2</p> <p style="text-align: center;">1/2</p> <p style="text-align: center;">1/2</p>
23	<p style="text-align: center;">XeF_6</p> <p>Central atom Xe has 8 valence electrons, it forms 6 bonds with F and has 1 lone pair. According to VSEPR theory, presence of 6 bp and 1 lp results in distorted octahedral geometry</p>	<p style="text-align: center;">1</p> <p style="text-align: center;">1</p>

		
24.	<p>Racemic mixture will be given by 2 chlorobutane as it is an optically active compound.</p> <p>When 2 chlorobutane undergoes S_N^1 reaction, both front and rear attack are possible, resulting in a racemic mixture</p>	1 1
25	<p>Let no. of Atoms of element P be x</p> <p>No. of tetrahedral voids = $2x$</p> <p>No. Of octahedral voids = x</p> <p>Atoms of Q = $\frac{1}{3}(2x) + x = \frac{5x}{3}$</p> <p>$P_xQ_{5x/3}$</p> <p>$P_3Q_5$</p>	1/2 1/2 1
SECTION C		
26	<p>(i) Due to large surface area and ability to show variable oxidation states</p> <p>(ii) Due to high value of third ionisation enthalpy</p> <p>(iii) Mo(VI) and W(VI) are more stable than Cr(VI).</p> <p style="text-align: center;">OR</p> <p>(i) The general trend towards less negative E° V values across the series is related to the general increase in the sum of the first and second ionisation enthalpies.</p> <p>(ii) The high energy to transform Cu(s) to Cu^{2+} (aq) is not balanced by its hydration enthalpy.</p> <p>(iii) The stability of the half-filled d sub-shell in Mn^{2+} and the completely filled d^{10} configuration in Zn^{2+} are related to their more negative E° V values</p>	1 1 1 1 1 1 1
27	<p>(i) Aniline, <i>N</i>-ethylethanamine, Etanamine</p> <p>(ii) Ethanamine, ethanol, ethanoic acid</p> <p>(iii) <i>N,N</i> dimethylmethanamine, methanamine, <i>N</i>-methylmethanamine</p> <p style="text-align: center;">OR</p> <p>(i) <i>N</i>-methyletahnamine is a secondary amine. When it reacts with benzenesulphonyl chloride, it forms <i>N</i>- Ethyl -<i>N</i> methyl sulphonamide while and</p>	1 1 1 1

	<p>N,N-dimethyl ethanamine is a tertiary amine it does not react with benzenesulphonyl chloride.</p> <p>(ii) </p> <p>(iii) Butan-1-ol Alcohol forms stronger hydrogen bonds with water than formed by amine due to higher electronegativity of O in alcohol than N in amine</p>	<p>1</p> <p>1/2</p> <p>1/2</p>
28	<p>We know that $d = zM / N_a a^3$</p> <p>For fcc, $z=4$ therefore $d = 4 \times M / Na (3.5 \times 10^{-8})^3 \text{ g/cm}^3$</p> <p>For bcc, $z=2$ therefore $d = 2 \times M / Na (3.0 \times 10^{-8})^3 \text{ g/cm}^3$</p> <p>$d/d' = 4/(3.5 \times 10^{-8})^3 / 2/(3.0 \times 10^{-8})^3 = 1.26:1$</p>	<p>1/2</p> <p>1</p> <p>1</p> <p>1/2</p>
29	<p>(i) </p> <p>(ii) </p>	<p>1</p> <p>1</p> <p>1</p>
30	<p>i. Arrange the following in decreasing order of bond dissociation enthalpy $\text{Cl}_2 > \text{Br}_2 > \text{F}_2 > \text{I}_2$</p> <p>ii. Bi does not form $p\pi-p\pi$ bonds as its atomic orbitals are large and diffuse so effective overlapping is not possible</p> <p>iii. Due to small size of oxygen, it has greater electron electron repulsions</p>	<p>1</p> <p>1</p> <p>1</p>
SECTION D		
31.	<p>(i)</p> <p>(a) $3\text{Cu} + 8 \text{HNO}_3(\text{dilute}) \rightarrow 3\text{Cu}(\text{NO}_3)_2 + 2\text{NO} + 4\text{H}_2\text{O}$</p> <p>(b)</p>	<p>1</p>



(ii) 'X' is Helium

It is used as a diluent for oxygen in modern diving apparatus because of its very low solubility in blood.

It monoatomic having no interatomic forces except weak dispersion forces and has second lowest mass therefore bp is lowest.

OR

(a) H_2Te , H_2Se , H_2S , H_2O

(b) $[\text{Fe}(\text{H}_2\text{O})_5(\text{NO})]^{2+}$

(ii) A is chlorine gas

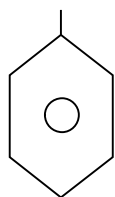
Its bleaching action is due to oxidation.

$\text{Cl}_2 + \text{H}_2\text{O} \rightarrow 2\text{HCl} + \text{O}$, Coloured substance + O \rightarrow Colourless substance

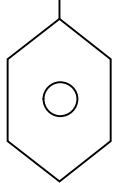
$6\text{NaOH} + 3\text{Cl}_2 \rightarrow 5\text{NaCl} + \text{NaClO}_3 + 3\text{H}_2\text{O}$

32

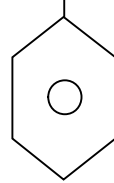
A: $\text{C} \equiv \text{CH}$



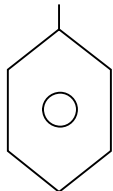
B: COCH_3



C: COOK D: CHI_3

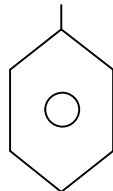


$\text{C} \equiv \text{CH}$



$\xrightarrow{\text{HgSO}_4, \text{H}_2\text{SO}_4}$

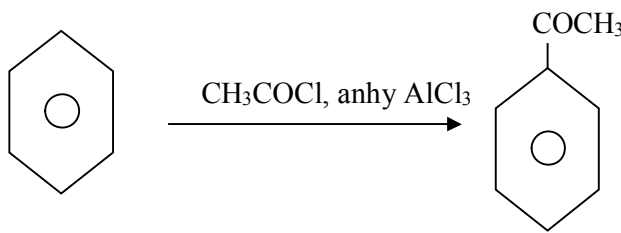
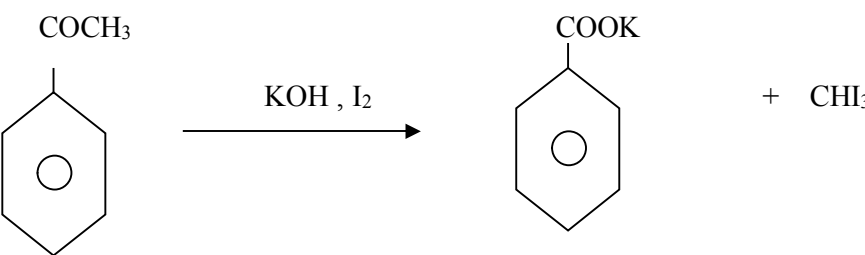
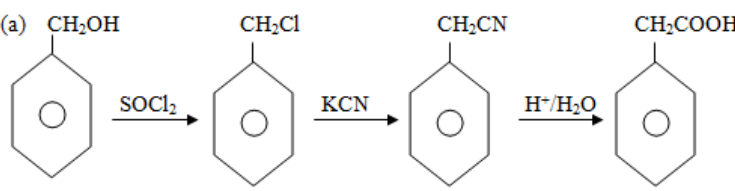
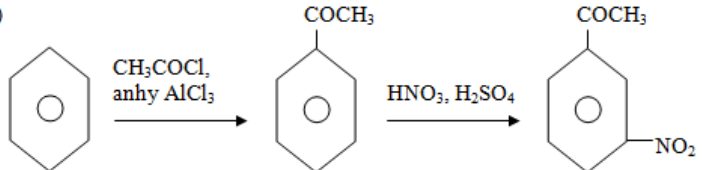
COCH_3



½ each

1

1

	<p style="text-align: center;">  </p> <p style="text-align: center;">  </p> <p style="text-align: center;">OR</p> <p style="text-align: center;"> (i) $\text{CH}_3\text{COCH}_3 + \text{CH}_3\text{CHO}$ \downarrow dil NaOH $(\text{CH}_3)_2\text{C}(\text{OH})\text{CH}_2\text{CHO} + \text{CH}_3\text{CH}(\text{OH})\text{CH}_2\text{COCH}_3$ \downarrow Heat $(\text{CH}_3)_2\text{C}=\text{CHCHO} + \text{CH}_3\text{CH}=\text{CHCOCH}_3$ </p> <p style="text-align: center;"> (ii) (a)  </p> <p style="text-align: center;"> (b) $\text{CH}_3\text{COCH}_3 \xrightarrow{\text{H}_2, \text{Pd}} \text{CH}_3\text{CH}(\text{OH})\text{CH}_3 \xrightarrow{\text{H}_2\text{SO}_4} \text{CH}_3\text{CH}=\text{CH}_2$ </p> <p style="text-align: center;"> (c)  </p>	<p>1</p> <p>1</p> <p>1</p> <p>1</p> <p>1</p>
33	<p>(i) limiting molar conductivity of an electrolyte can be represented as the sum of the individual contributions of the anion and cation of the electrolyte.</p> <p>(ii) $E^\circ_{\text{cell}} = E^\circ_{\text{cathode}} - E^\circ_{\text{anode}} = 0.34 - (-1.66) = 2.00 \text{ V}$</p> <p>$E_{\text{cell}} = E^\circ_{\text{cell}} - 0.059 \log [\text{Al}^{3+}]^2$</p>	<p>1</p> <p>1/2</p>

$$n \quad [\text{Cu}^{2+}]^3$$

Here $n = 6$

$$\begin{aligned} E_{\text{cell}} &= 2 - \frac{0.059}{6} \log \frac{[0.15]^2}{[0.025]^3} \\ &= 2 - 0.059/6 (2 \log 0.15 - 3 \log 0.025) \\ &= 2 - 0.059/6 (-1.6478 + 4.8062) = 2 - 0.0311 = 1.9689\text{V} \end{aligned}$$

OR

(i) MnO_4^-

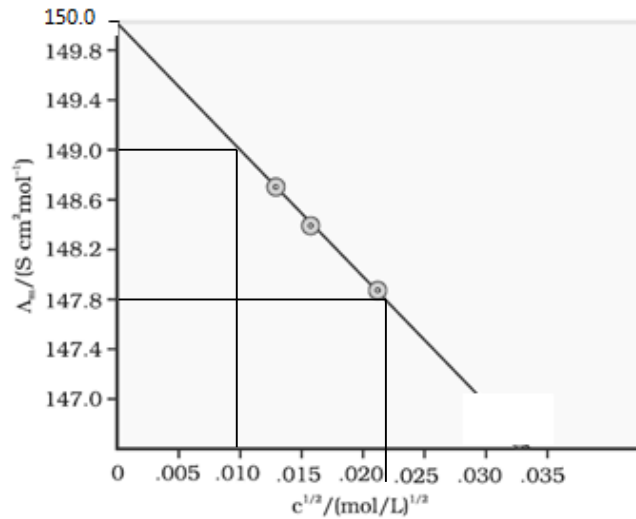
(ii)(a) Molar conductivity of a solution at a given concentration is the conductance of the volume V of solution containing one mole of electrolyte kept between two electrodes with area of cross section A and distance of unit length.

(b) Strong electrolyte, For strong electrolytes, Λ_m increases slowly with dilution

(c) $\Lambda_m = \Lambda_m^\circ - A c^{1/2}$

Therefore $\Lambda_m^\circ = 150 \text{ S cm}^2 \text{ mol}^{-1}$

(d)



$$A = -\text{slope} = -(149 - 147.8 / 0.010 - 0.022) = 100 \text{ S cm}^2 \text{ mol}^{-1} / (\text{mol/L}^{-1})^{1/2}.$$